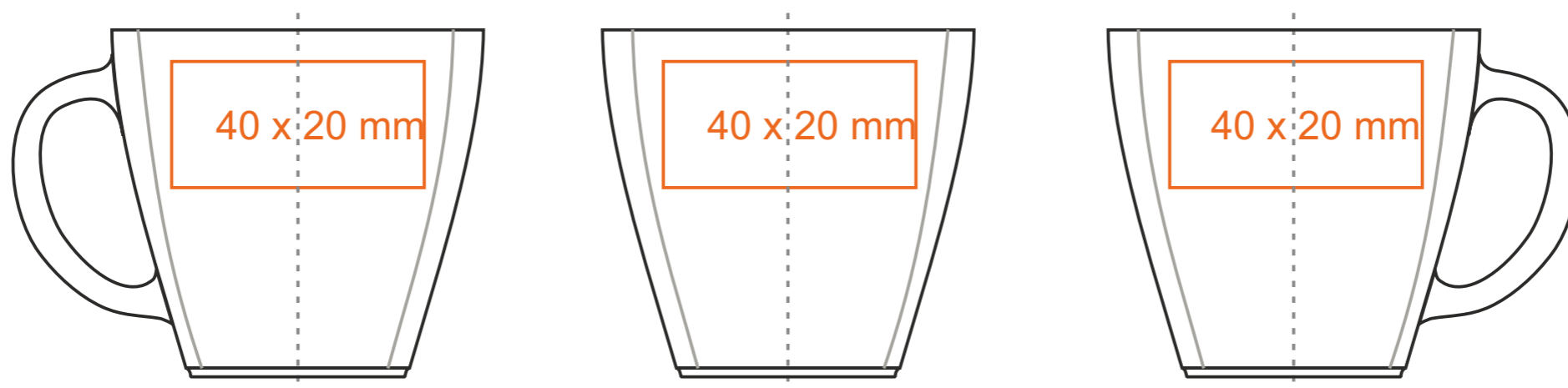
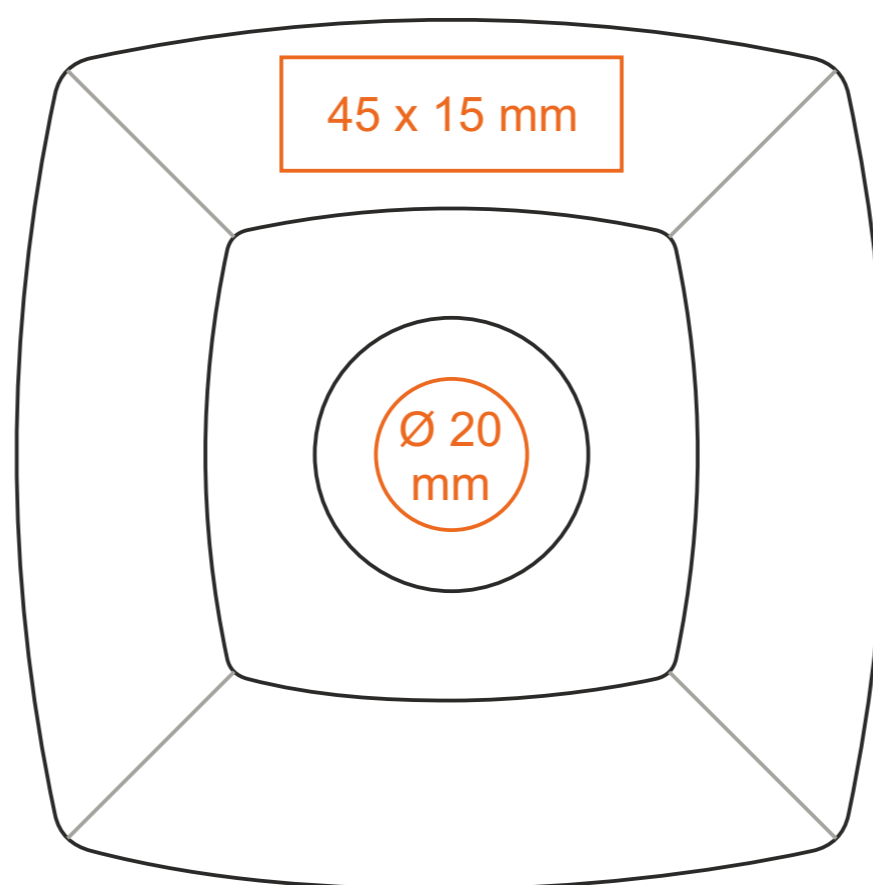


C_227 Manhattan_Set

90 ml / h: 55 mm / Ø 59 mm



Saucer Ø 115 mm



- | | |
|-------------------------------|--------------|
| Imprint on the handle | - 30 x 5 mm |
| Imprint on the inside | - 30 x 10 mm |
| Imprint on the bottom inside | - Ø 20 mm |
| Imprint on the bottom outside | - Ø 15 mm |

*In the case of projects for transfer print running outside of the standard print area, please contact our sales department.

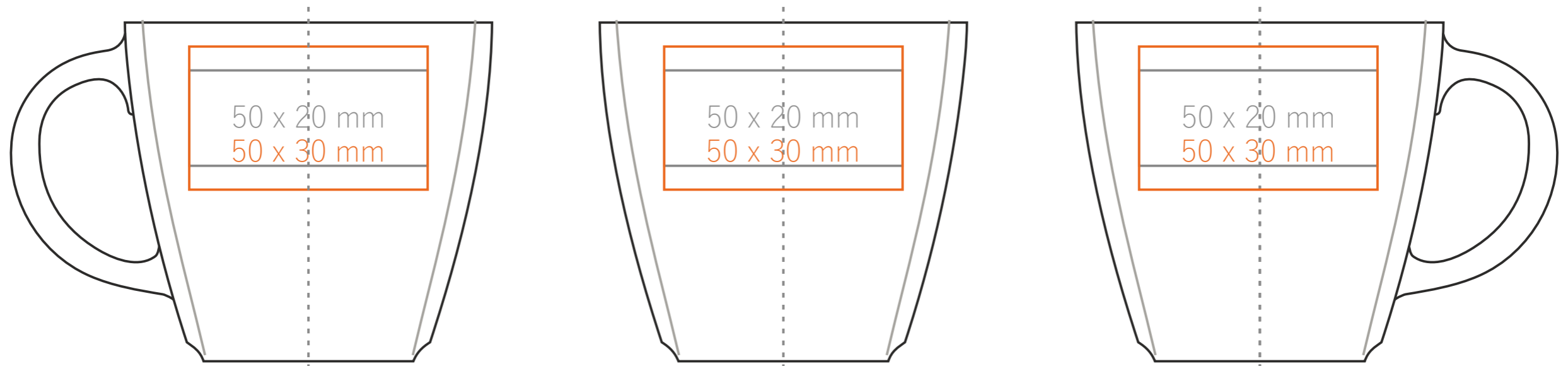
[How to prepare print material](#)

meaning

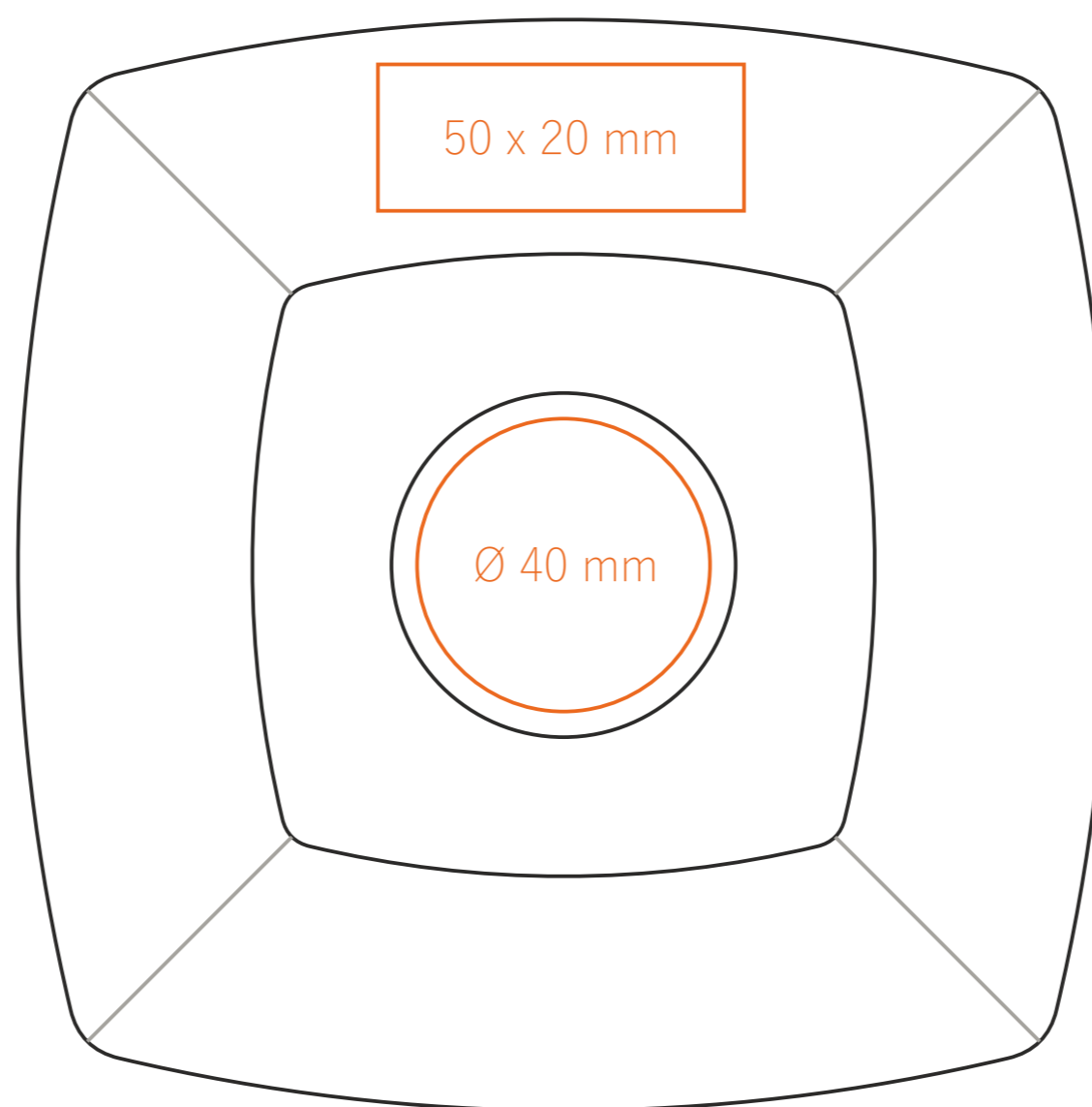
- Transfer Print
- Sensitive Touch

C_227 Manhattan_Set

200 ml / h: 71 mm / Ø 77 mm



Saucer Ø 148 mm



- Imprint on the handle - 40 x 8 mm
- Imprint on the inside - 40 x 15 mm
- Imprint on the bottom inside - Ø 30 mm
- Imprint on the bottom outside - Ø 30 mm

*In the case of projects for transfer print running outside of the standard print area, please contact our sales department.

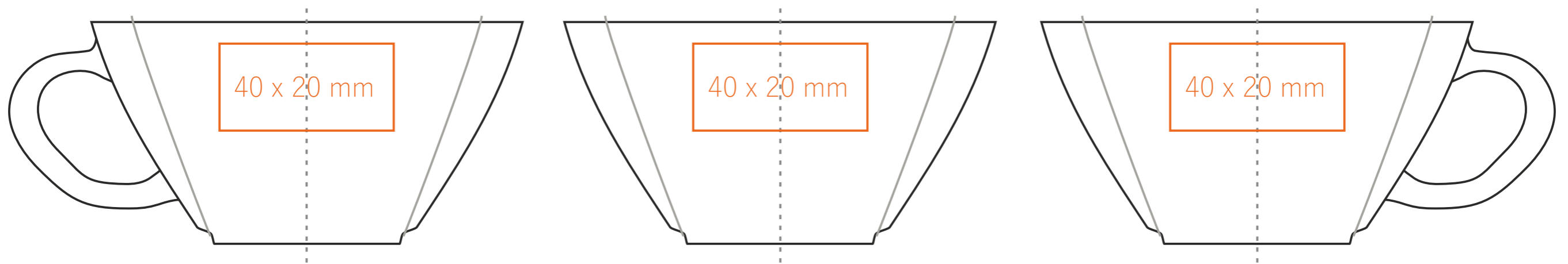
[How to prepare print material](#)

meaning

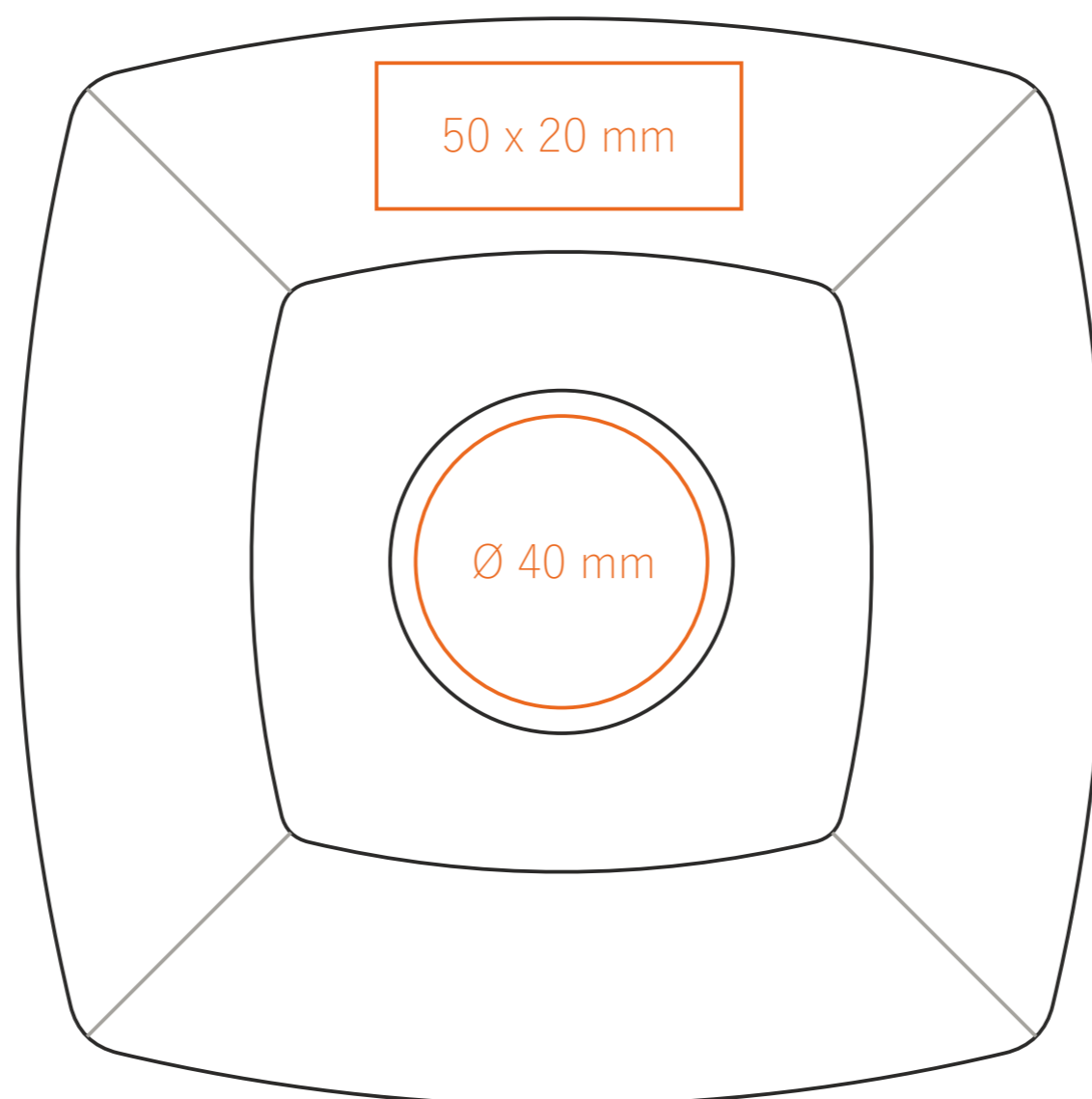
- Transfer Print
- Sensitive Touch
- Direct Print

C_227 Manhattan_Set

220 ml / h: 51 mm / Ø 99 mm



Sacuer Ø 148 mm



- Imprint on the handle - 30 x 8 mm
- Imprint on the inside - 40 x 10 mm
- Imprint on the bottom inside - Ø 35 mm
- Imprint on the bottom outside - Ø 30 mm

*In the case of projects for transfer print running outside of the standard print area, please contact our sales department.

[How to prepare print material](#)

meaning

- Transfer Print
- Sensitive Touch